



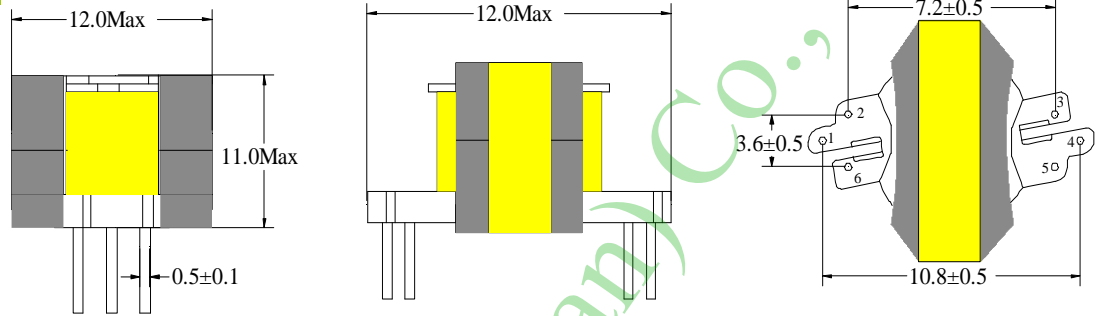
High-frequency transformer

RM4 Series

Parameters/Dimensions:

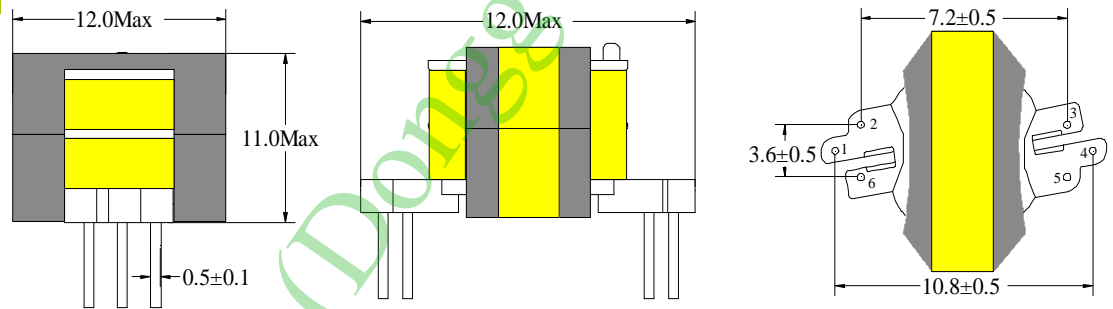
RM4 Type 1

- Information:
 Shape:RM4
 1 Power: 6W
 2 Mounting Orientation: Vertical
 3 Size: 12 (W) * 12 (L) * 11 (H)
 4 Effective Ae (mm2): 13.8



RM4 Type 1

- Information:
 Shape: RM4
 1 Power: 6W
 2 Mounting Orientation: Vertical
 3 Size: 12 (W) * 12(L) * 11 (H)
 4 Effective Ae (mm2): 13.8



Note:

Bobbin type listed in the traditional style, transformer design parameters to customer needs or to inject prevail.

RM series high-frequency transformer features:

Magnetic shielding effect, anti-interference ability, magnetic flux leakage small, distributed capacitance low, skeleton with multiple pin, multiple output transformer can be designed, high-density mounting. However, poor heat dissipation, higher safety costs.

Uses:

Auxiliary power transformers, drive transformers, wideband transformers, carrier filter, high stability of the filter. Mainly used in carrier communication, networking, digital television, electronic equipment and other fields.